

# Kyunhao®

Design & Manufacture Indoor&Outdoor  
Architectural Lighting & Collaborate with Architects,  
Designers, Contractors & Investors to Integrate Light  
into Their Projects. Suitable for All Types of  
Installations, from Residential to Shops, Hotels.

*Your reliable Partner !*



*Indoor & Outdoor Architectural Lighting  
Manufacturer*

**Zhongshan Kyunhao Lighting Co.,Ltd.**

Add: A28, 3rd Floor, No. 70, Baoyuan Road, Zhuyuan Community, Xiaolan Town, Zhongshan City, Guangdong, China 528415

Website: [www.kyunhaoled.com](http://www.kyunhaoled.com)

Phone: +86 185 7602 0858

Email: [info@kyunhaoled.com](mailto:info@kyunhaoled.com)

WeChat: jin793178867

# Kyunhao®

## Company Profile

Zhongshan Kyunhao Lighting Co., Ltd. is located in Zhongshan City, Guangdong Province and focuses on the R & D, production and sales of LED interior lighting products. We have in-depth cooperation with major raw material brands. With complete varieties, all products are independently developed and designed with patents including down light, spot light, track light and linear light.

The products are widely used in various indoor lighting projects, such as hotels, villas, shopping malls, stores, offices, schools, hospitals, etc. The products are of exquisite appearance and complete functions with the characteristics of anti-glare, high brightness, high color rendering and flicker free. Besides, intelligent functions are provided such as various colors, dimming and CCT tunable so as to meet various application requirements.

Kyunhao Lighting products are certified by international certifications such as SAA, RCM, CE and ROHS. The Company possesses complete testing equipment: IES light distribution curve tester(darkroom), integrating-sphere spectrum tester. We also providing customers with professional ODM and OEM services. The product sales ratio of the Company: 90% for export and 10% for domestic sales. Kyunhao Lighting is committed to providing the most valuable lighting solutions for customers and becoming the most trusted provider of engineering lighting solutions.

We provide one-stop solution for your private label OEM/ODM production, making it easy for you to build your LED lighting brand.



# PRODUCT CONTENT

## LED RECESSEDDOWN LIGHT



KHDL225  
P1--2



KHDL226  
P3--5



KHSP100  
P6--7



KHSP101  
P8--9



KHSP151  
P10--11

## LED SURFACE DDOWN LIGHT



KHDL230  
P12-13



KHDL233  
P14--15



KHDL238  
P16--18

## LED BACKLIT PANEL LIGHT



*Recessed LED Down Light Series shining uniform performance for office working spaces, residential rooms, commercial spaces and etc. With Kyunhao Lighting concise design , the whole fixture with low height minimum 50mm , maximum 125mm, which can help you place the downlights into various ceilings with different height. Nice portfolio of wattage from 8W to 42W and wattage from 15 degrees to 100 degrees, from tiny to larger dimension gives customers and designers multiple options.*

*Meet the eternal aesthetic of the public is a big advantage of this light, this downlight will not let users disappointed and aesthetic fatigue, but also do not worry about heat dissipation problems, thanks to the classic design and thick aluminum shell, will not be outdated design coupled with reliable light performance, which is undoubtedly the best choice.*

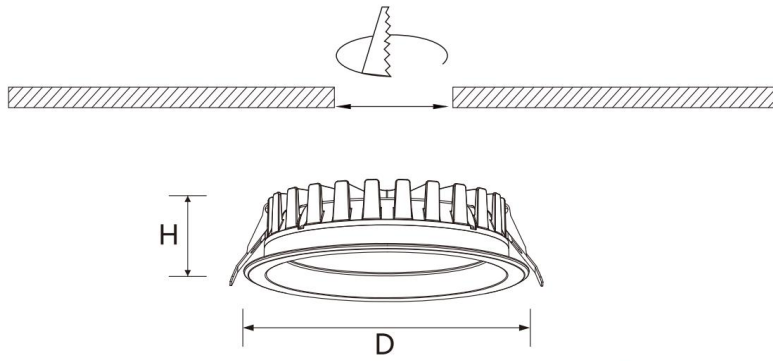


**KHDL225**

**Beam 100° SMD Fixed LED Downlight**



## OPTIONS



Unit: mm

Model No.	Watts	Efficiency	Protection Class	D x H (mm)	Cutout (mm)	Beam Angle	Controls
KHDL225CT090	15W	120lm/w	IP20/54	Ø109xH50	Ø90	100°	On-off Dali Triac 0-10V
KHDL225CT115	20W	120lm/w	IP20/54	Ø134xH50	Ø115		
KHDL225CT140	25W	120lm/w	IP20/54	Ø160xH52	Ø140		
KHDL225CT170	35W	120lm/w	IP20/54	Ø188xH52	Ø170		
KHDL225CT200	42W	120lm/w	IP20/54	Ø227xH52	Ø200		



More than 60,000 hours life span



Assured build quality with die-cast based construction



5 Years Warranty



Flicker free



CCT version is optional

## SPECIFICATIONS

Input Voltage:	AC220-240V 50/60Hz
Material:	aluminum
Finish:	WH/BK Trim
LEDs:	SMD2835 Osram
CRI:	80/90
CCT:	2700K/3000K/3500K/4000K/6500K
Beam angle:	100 degrees fixed
Efficiency:	120lm/w
Optics:	PC diffuser
IP Rating:	IP20; IP54 on the visible part of the product once installed
Dimming:	ON-OFF, Dali, Triac, 0-10V
CCT adjustable:	yes, CCT adjustable by dip switch on back side as an option
Driver:	yes, constant current remote driver included
Accessories:	yes, included
Mounting:	recessed
Warranty:	5 years
Certification:	CE, CB, SAA

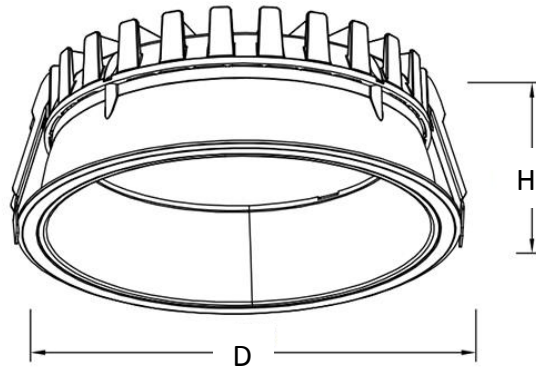
# LED RECESSED DOWN LIGHT

**KHDL226**

**Beam 85° SMD Fixed LED Downlight**



## OPTIONS



Unit : mm

Model No.	Watts	Efficiency	Protection Class	D x H (mm)	Cutout (mm)	Beam Angle	Controls
KHDL226CT090	15W	110lm/w	IP20/54	Ø104xH69	Ø90-95	85°	On-off Dali Triac 0-10V
KHDL226CT115	20W	110lm/w	IP20/54	Ø129xH69	Ø115-120		
KHDL226CT140	25W	110lm/w	IP20/54	Ø155xH74	Ø140-145		
KHDL226CT175	35W	110lm/w	IP20/54	Ø190xH74	Ø170-178		
KHDL226CT200	42W	110lm/w	IP20/54	Ø220xH84	Ø200-208		



More than 60,000 hours life span



Assured build quality with die-cast based construction



5 Years Warranty



Flicker free



CCT version is optional

## SPECIFICATIONS

Input Voltage:	AC220-240V 50/60Hz
Material:	aluminum
Finish:	WH/BK aluminum Trim
Reflector:	aluminum reflector with white/black/silver/mirror
LEDs:	SMD2835 Osram
CRI:	80/90
CCT:	2700K/3000K/3500K/4000K/6500K
Beam angle:	85 degrees fixed
Efficiency:	110lm/w
Optics:	PC diffuser
IP Rating:	IP20; IP54 on the visible part of the product once installed
Dimming:	ON-OFF, Dali, Triac, 0-10V
CCT adjustable:	yes, CCT adjustable by dip switch on back side as an option
Driver:	yes, constant current remote driver included
Accessories:	yes, included
Mounting:	recessed
Warranty:	5 years
Certification:	CE, CB, SAA



Reflector options



**matt white**



**mirror**



**silver**



**matt black**

Trim options



**White trim +Black reflector**



**Black trim +Black reflector**

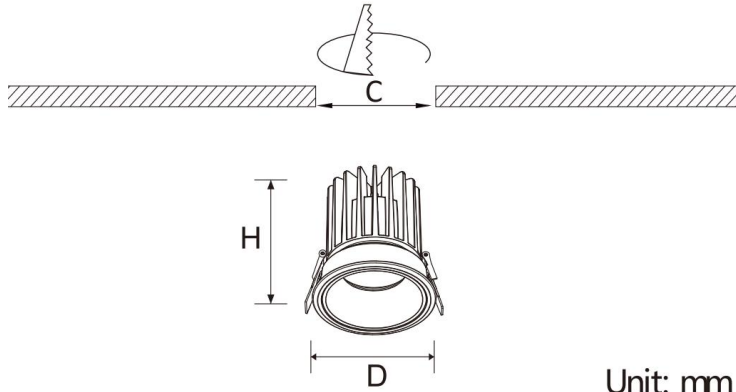
# LED RECESSED DOWN LIGHT

**KHSP100**

**IP65 Glass Diffuser Honey Comb Spotlight**



## OPTIONS



Unit: mm

Model No.	Watts	Efficiency	Protection Class	D x H (mm)	Cutout (mm)	Beam Angle	Controls
KHSP100CT055	8W	100lm/w	IP20/65	Ø65xH76	Ø55	Reflector 15°   24°  38°  45°  60° (Fixed)	On-off
KHSP100CT075H69	10W	100lm/w	IP20/65	Ø83xH69	Ø75		Dali
KHSP100CT075H90	15W	100lm/w	IP20/65	Ø83xH90	Ø75		Triac
KHSP100CT075H117	25W	100lm/w	IP20/65	Ø83xH117	Ø75		0-10V



More than 60,000 hours life span



Assured build quality with die-cast based construction



5 Years Warranty



Flicker free

## SPECIFICATIONS

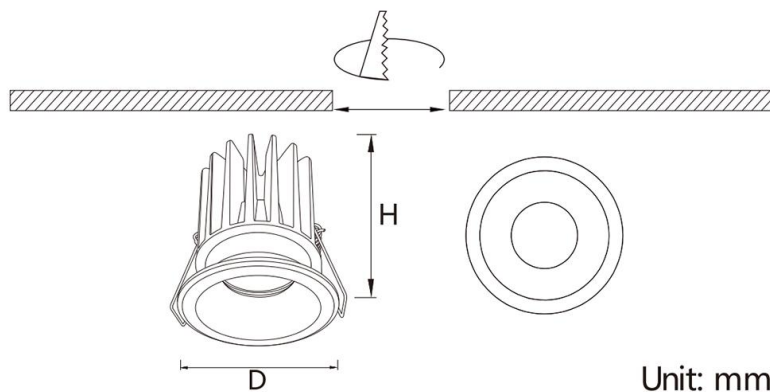
Input Voltage:	AC220-240V 50/60Hz
Material:	aluminum
Finish:	WH/BK aluminum Trim
Reflector:	aluminum reflector with white/black/silver/mirror/golden
LEDs:	COB
CRI:	80/90
CCT:	2700K/3000K/3500K/4000K/6500K
Beam angle:	15° /24° /38° /45° /60°
Efficiency:	100lm/w
Optics:	PC lens (honey comb optional)
IP Rating:	IP20; IP65 with glass diffuser
Dimming:	ON-OFF, Dali, Triac, 0-10V
CCT adjustable:	no
Driver:	yes, constant current remote driver included
Accessories:	yes , included
Mounting:	recessed
Warranty:	5 years
Certification:	CE, CB, SAA

**KHSP101**

**Recessed LED Downlight with narrow beam**



## OPTIONS



Unit: mm

Model No.	Watts	Efficiency	Protection Class	D x H (mm)	Cutout (mm)	Beam Angle	Controls
KHSP101CT055	8W	100lm/w	IP20/65	Ø65xH76	Ø55	15° / 24° / 38° / 45° / 60°	On-off Dali Triac 0-10V
KHSP101CT075 (H74)	10W	100lm/w	IP20/65	Ø85xH74	Ø75		
KHSP101CT075 (H94)	15W	100lm/w	IP20/65	Ø85xH94	Ø75		
KHSP101CT075H122	25W	100lm/w	IP20/65	Ø85xH122	Ø75		
KHSP101CT095	28W	100lm/w	IP20/65	Ø105xH125	Ø95		



More than 60,000 hours life span



Assured build quality with die-cast based construction



5 Years Warranty



Flicker free

## SPECIFICATIONS

Input Voltage:	AC220-240V 50/60Hz
Material:	aluminum
Finish:	WH/BK aluminum Trim
LEDs:	COB
CRI:	80/90
CCT:	2700K/3000K/3500K/4000K/6500K
Beam angle:	15° / 24° / 38° / 45° / 60°
Efficiency:	100lm/w
Optics:	PC lens (honey comb optional)
IP Rating:	IP20; IP65 with glass diffuser
Dimming:	ON-OFF, Dali, Triac, 0-10V
CCT adjustable:	no
Driver:	yes, constant current remote driver included
Accessories:	yes , included
Mounting:	recessed
Warranty:	5 years
Certification:	CE, CB, SAA



# LED RECESSED DOWN LIGHT

**KHSP151**

**Adjustable IP65 Glass Diffuser Honey Comb Downlight**



Ø85xH72mm



Ø85xH76mm



Ø105xH67mm

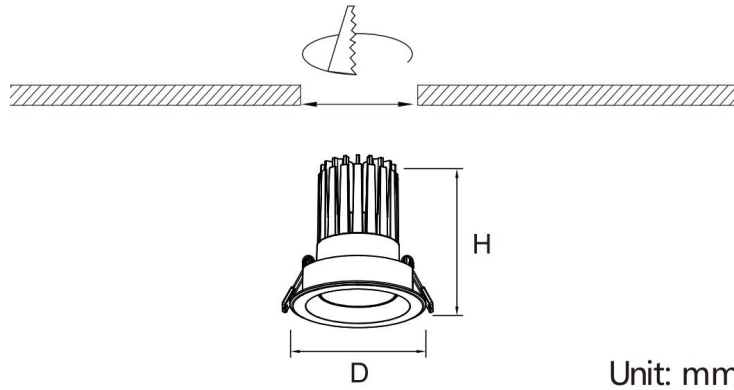


Ø105xH88mm



Ø105xH114mm

## OPTIONS



Unit: mm

Model No.	Watts	Efficiency	Protection Class	D x H (mm)	Cutout (mm)	Beam Angle	Controls
KHSP151CT075H72	8W	100lm/w	IP20/65	Ø85xH72	Ø75	15° / 24° / 38° / 45° / 60°	On-off Dali Triac 0-10V
KHSP151CT075H76	15W	100lm/w	IP20/65	Ø85xH76	Ø75		
KHP151CT095H67	10W	100lm/w	IP20/65	Ø105xH67	Ø95		
KHSP151CT095H88	15W	100lm/w	IP20/65	Ø105xH88	Ø95		
KHSP151CT095H114	25W	100lm/w	IP20/65	Ø105xH114	Ø95		



More than 60,000 hours life span



Assured build quality with die-cast based construction



5 Years Warranty



Flicker free

## SPECIFICATIONS

Input Voltage:	AC220-240V 50/60Hz
Material:	aluminum
Finish:	WH/BK aluminum Trim
Reflector:	aluminum reflector (white/black)
LEDs:	COB
CRI:	80/90
CCT:	2700K/3000K/3500K/4000K/6500K
Beam angle:	15° / 24° / 38° / 45° / 60°
Adjustable:	vertical 30°
Efficiency:	100lm/w
Optics:	PC lens (honey comb optional)
IP Rating:	IP20; IP65 with glass diffuser
Dimming:	ON-OFF, Dali, Triac, 0-10V
CCT adjustable:	no
Driver:	yes, constant current remote driver included
Accessories:	yes , included
Mounting:	recessed
Warranty:	5 years
Certification:	CE, CB, SAA

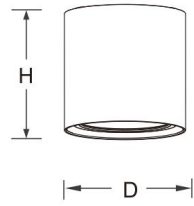
# LED SURFACE DOWN LIGHT

**KHDL230**

**Surface Mount Fixed LED Downlight**



## OPTIONS



Unit: mm

Model No.	Watts	Efficiency	Protection Class	D x H (mm)	Cutout (mm)	Beam Angle	Controls
KHDL230D090	15W	100lm/w	IP20/44	Ø90xH99	/	110°	On-off
KHDL230D120	30W	100lm/w	IP20/44	Ø120xH118	/		Dali
KHDL230D168	50W	100lm/w	IP20/44	Ø168xH120	/		Triac 0-10V



More than 60,000 hours life span



Assured build quality with die-cast based construction



5 Years Warranty



Flicker free

## SPECIFICATIONS

Input Voltage:	AC220-240V 50/60Hz
Material:	aluminum
Finish:	WH/BK aluminum Trim
LEDs:	SMD3030
CRI:	80/90
CCT:	2700K/3000K/3500K/4000K/6500K
Beam angle:	110°
Efficiency:	100lm/w
Optics:	PC diffuser
IP Rating:	IP20; IP44
Dimming:	ON-OFF, Dali, Triac, 0-10V
CCT adjustable:	no
Driver:	yes, constant current built-in driver included
Accessories:	yes , included
Mounting:	Surface / Pendant
Warranty:	5 years
Certification:	CE, CB, SAA

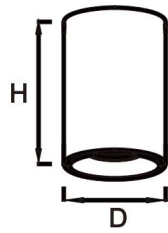
**KHDL233**

**Surface Mount Fixed LED Downlight**





## OPTIONS



Unit: mm

Model No.	Watts	Efficiency	Protection Class	D x H (mm)	Cutout (mm)	Beam Angle	Controls
KHDL233D075	10W	90lm/w	IP65	Ø75xH100	/	20° /40°	On-off Dali Triac 0-10V
KHDL233D075	15W	90lm/w	IP65	Ø75xH152	/		
KHDL233D095	15W	90lm/w	IP65	Ø95xH100	/		
KHDL233D095	20W	90lm/w	IP65	Ø95xH152	/		
KHDL233D115	30W	90lm/w	IP65	Ø115xH152	/		
KHDL233D140	40W	90lm/w	IP65	Ø140xH162	/		
KHDL233D170	50W	90lm/w	IP65	Ø170xH182	/		
KHDL233D205	50W	90lm/w	IP65	Ø205xH212	/		



Cutoff angle 40°



More than 60,000 hours life span



Assured build quality with die-cast based construction



5 Years Warranty



Flicker free & UGR<17

## SPECIFICATIONS

Input Voltage:	AC220-240V 50/60Hz
Material:	aluminum
Finish:	WH/BK aluminum Trim
LEDs:	COB
CRI:	80/90
CCT:	2700K/3000K/3500K/4000K/6500K
Beam angle:	20° /40°
Efficiency:	90lm/w
Optics:	PC lens
IP Rating:	IP65
Dimming:	ON-OFF, Dali, Triac, 0-10V
CCT adjustable:	no
Driver:	yes, constant current built-in driver included
Accessories:	yes , included
Mounting:	Surface / Pendant
Warranty:	5 years
Certification:	CE, CB, SAA

# LED SURFACE DOWN LIGHT

**KHDL238**

**Surface Mount Fixed LED Downlight**



**Ø90 x H99mm**

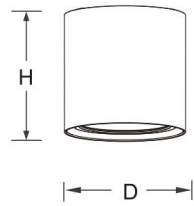


**Ø120 x H118mm**



**Ø168 x H120mm**

## OPTIONS



Unit: mm

Model No.	Watts	Efficiency	Protection Class	D x H (mm)	Cutout (mm)	Beam Angle	Controls
KHDL238D090	15W	100lm/w	IP20/65	Ø90xH99	/	60°	On-off
KHDL238D120	30W	100lm/w	IP20/65	Ø120xH118	/		Dali
KHDL238D168	50W	100lm/w	IP20/65	Ø168xH120	/		Triac 0-10V



More than 60,000 hours life span



Assured build quality with die-cast based construction



5 Years Warranty



Flicker free

## SPECIFICATIONS

Input Voltage:	AC220-240V 50/60Hz
Material:	aluminum
Finish:	WH/BK aluminum Trim
LEDs:	SMD3030
CRI:	80/90
CCT:	2700K/3000K/3500K/4000K/6500K
Beam angle:	110°
Efficiency:	100lm/w
Optics:	PC diffuser (honey combe optional)
IP Rating:	IP20; IP65 with glass diffuser
Dimming:	ON-OFF, Dali, Triac, 0-10V
CCT adjustable:	no
Driver:	yes, constant current built-in driver included
Accessories:	yes , included
Mounting:	Surface / Pendant
Warranty:	5 years
Certification:	CE, CB, SAA

Reflector options



Diffused



Honey Comb



Clear

Trim options



Black



White